



# DMX DIN-rail Splitter

## Instruction Manual

Models:

# DSD6-DIN-RDM

version 1.0 since 3 January 2023

### ATTENTION!

This instruction manual contains important information about the installation and the use of the equipment. Please read and follow these instructions carefully.

Always ensure that the power to the equipment is disconnected before opening the equipment or commencing any maintenance work.

## **IMPORTANT SAFETY INFORMATION**

The following general safety precautions have to be observed during all phases of operation, service, and the repair of this equipment. Failure to comply with these precautions or with specific warnings in this manual violates safety standards of design, manufacture, and the intended use of this equipment.

### ***Do not operate in an explosive atmosphere!***

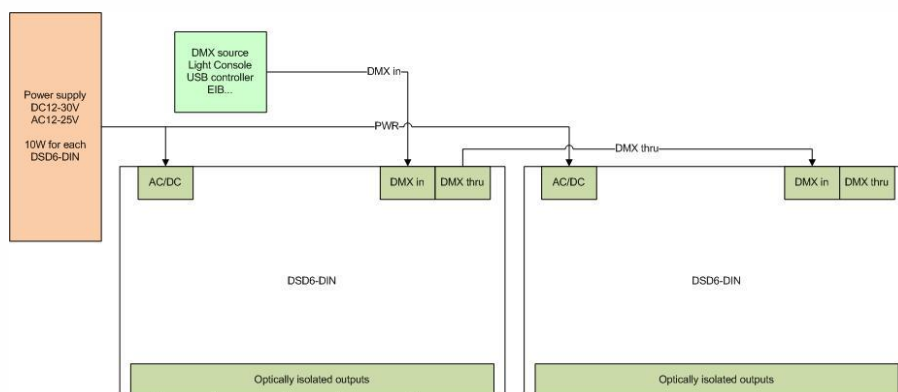
Do not operate this equipment in the presence of flammable gases or fumes. Operation of any electrical instrument in such an environment constitutes a definite safety hazard. Device should be never placed near or over a heat register or other source of heated air and it should not be installed or operated without proper ventilation.

## **DMX connection**

DMX connectors are located on both sides of the splitter board. These are separated to two groups. First group is wired in ration 1:1 and marked as DMX input and DMX thru. This line is not optically isolated and when the device is last in line, it should be terminated by the termination resistor of 120ohm wired between pins 2 and 3 of the DMX thru connector. DATA LED is indicating presence of DMX data stream on DMX input

The other group consists of 6-way optically isolated lines marked with numbers 1-6. Each line has a separate power supply, line driver

## **Sample of system schematics:**



## Device in use / service:

By default, Power LED indicates the device is on main power. When the Power LED is off, check the main power input.

When the DMX cable is connected to the device, LED marked as DATA go on. Speed of light on this LED also indicates the refresh rate of DMX signal. Fast blinking – high refresh rate, slow blinking – slow refresh rate.

If case of any problems, do not hesitate to contact us via email at [rma@srs-group.com](mailto:rma@srs-group.com) or call us at +421244681417. Don't worry; we will fix your problems for sure.

## Technical data

### **AC/DC Power input:**

DC 9-36V, 160mA

AC 9-24V, 160mA

### **DMX Input / Output:**

6x USITT DMX512 /RS485/ isolated up to 1000V

Maximum of: 6x 32 devices per one splitter output

Cable length: max: 6x 1200m

### **Weight:**

0.25 kg

### **Temperature of use:**

-30...+45°C

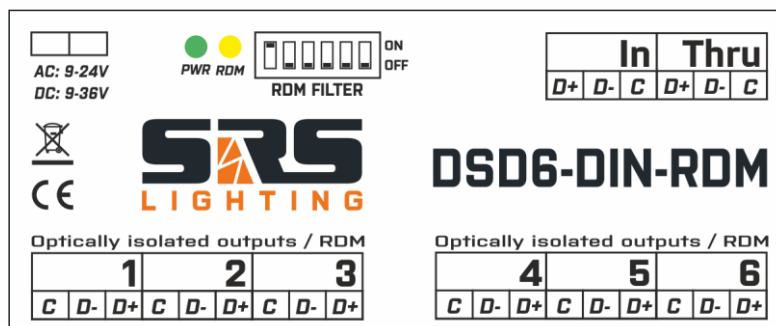
### **Size & Housing:**

111 x 96 x 59mm, 6 module DIN plastic box

### **Warranty:**

Two-Year /24-month/ warranty

## Top panel:



**DECLARATION OF CONFORMITY**  
**According to guidelines 89/336 EEC and 92/31 EEC:**

**Name of producer:** SRS Group s.r.o.

**Address of producer:** Pri majeri 4, SK- 83106 Bratislava, Slovak Republic

*Declares that the product*

**Name of product:** DSD6-DIN-RDM 6-way DMX splitter

**Type:** DSD6-DIN-RDM

*Corresponds to the following product specifications:*

**Safety:** EN60065, resp. EN 60950

**EMC:** EN55103-1, resp. EN55103-2

Bratislava, 16 March 2022



Robert Sloboda

Copyright 2017 SRS Group, s.r.o. | Specifications subject to change without notice.  
Document: DSD6-DIN-RDM\_en\_manual\_M348 | Version 1.0 | Actual as of: 3 January 2023



**SRS Group s.r.o.**

Pri majeri 4 | 831 07 Bratislava | Slovakia

Phone: +421 2 32 661 800

Email: [sales@srs-group.com](mailto:sales@srs-group.com) | [www.srs-group.com](http://www.srs-group.com)

