



DIN LED Strip Dimmer

Instruction Manual

Models:

DTL16-DIN

version 1.0 since 16 November 2022

ATTENTION!

This instruction manual contains important information about the installation and the use of the equipment. Please read and follow these instructions carefully.

Always ensure that the power to the equipment is disconnected before opening the equipment or commencing any maintenance work.

IMPORTANT SAFETY INFORMATION

The following general safety precautions have to be observed during all phases of operation, service, and the repair of this equipment. Failure to comply with these precautions or with specific warnings in this manual violates safety standards of design, manufacture, and the intended use of this equipment.

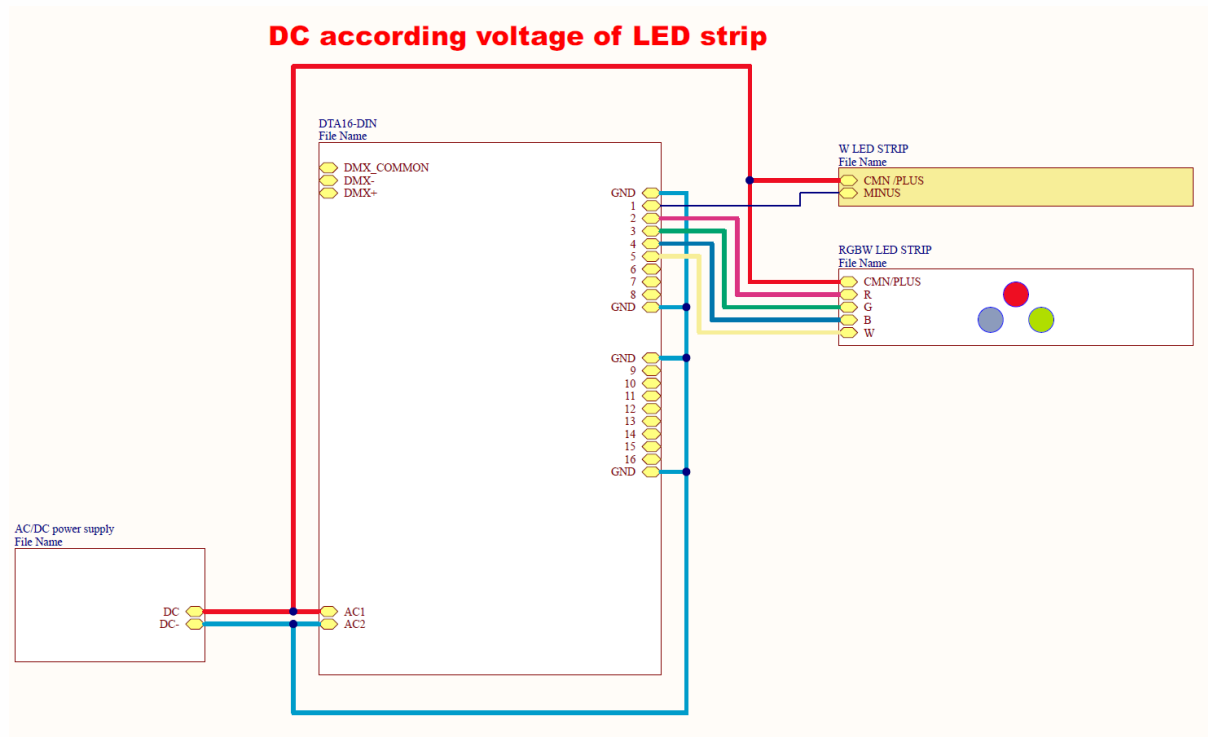
Do not operate in an explosive atmosphere!

Do not operate this equipment in the presence of flammable gases or fumes. Operation of any electrical instrument in such an environment constitutes a definite safety hazard. Device should be never placed near or over a heat register or other source of heated air and it should not be installed or operated without proper ventilation.

DMX connection

DMX connectors are located on top side of board. DATA LED is indicating presence of DMX data stream on DMX input

Sample of system schematics:



Device in use / service:

By default, Power LED indicates the device is on main power. When the Power LED is off, check the main power input.

When the DMX cable is connected to the device, LED marked as DATA OK go on.

If case of any problems, do not hesitate to contact us via email at rma@srs-group.com. Don't worry; we will fix your problems for sure.

Technical data

AC/DC Power input:

AC 12-24V, 160mA

DC 15-36V, 160mA

DMX Input / Output:

1x USITT DMX512 /RS485/ isolated up to 1000V

Size & Housing:

111 x 96 x 59mm, 6 module DIN plastic box

Weight:

0.25 kg

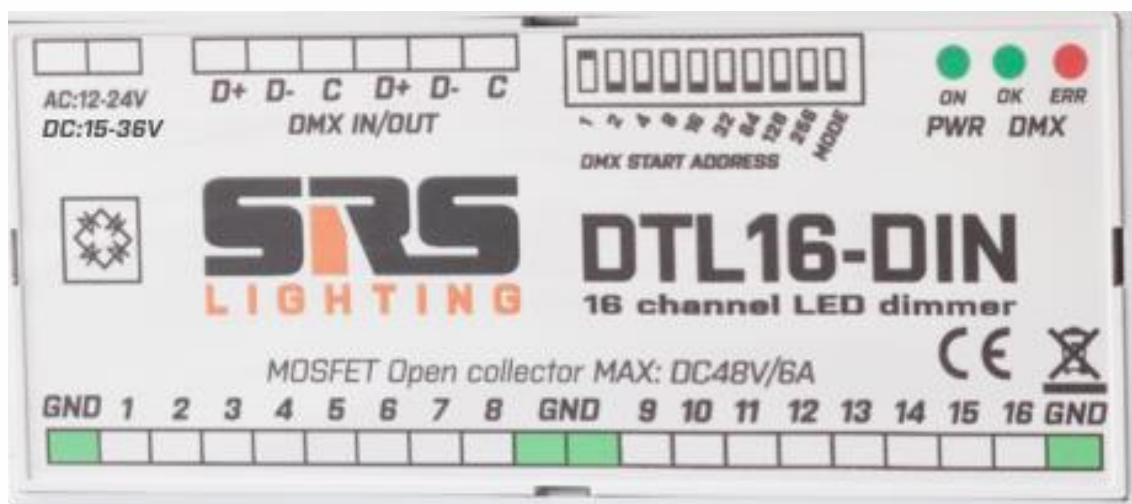
Temperature of use:

-30...+45°C

Warranty:

2 years

Top panel:



DECLARATION OF CONFORMITY
According to guidelines 89/336 EEC and 92/31 EEC:

Name of producer: SRS Group s.r.o.

Address of producer: Pri majer 4, SK- 83106 Bratislava, Slovak Republic

Declares that the product

Name of product: DTL16-DIN DIN LED Strip Dimmer

Type: DTL16-DIN

Corresponds to the following product specifications:

Safety: EN60065, resp. EN 60950

EMC: EN55103-1, resp. EN55103-2

Bratislava, 19 August 2012



Robert Sloboda

Copyright 2017 SRS Group, s.r.o. | Specifications subject to change without notice.
Document: DTL16-DIN_en_manual_M271 | Version 1.0 | Actual as of: 16 November 2022



SRS Group s.r.o.

Pri mjeri 4 | 831 07 Bratislava | Slovakia

Phone: +421 2 32 661 800

Email: sales@srs-group.com | www.srs-group.com

