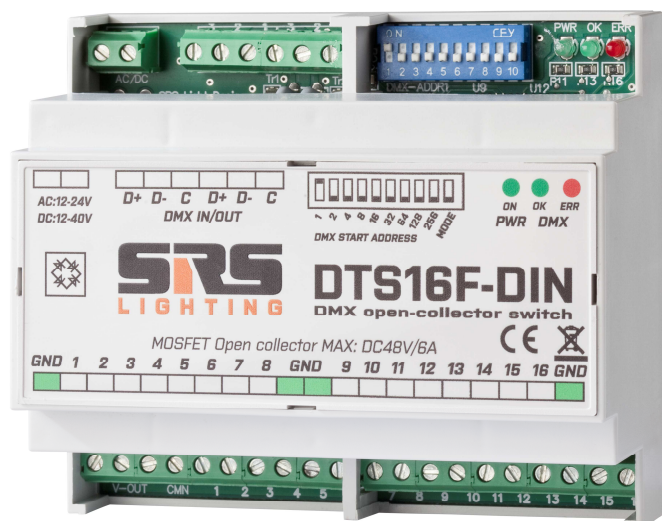


DTS16F-DIN DMX N-MOSFET Switch Pack

The DTS16F-DIN relay switch pack allows controlling of most electrical devices (lights, motors, solenoids, etc.) from theatrical light desk via the DMX line.

Switching device is an N-MOSFET transistor with open collector.



DTS16F-DIN features:

- 16x Open collector output
- Optically isolated DMX input with parallel output
- Over-voltage protection of DMX line
- LED indication of the DMX line
- DIP switch for the DMX address setting

Power supply

DC 12-36V / AC 12-24V, 160mA

Operating temperature

-20 °C to +60 °C

Housing

Plastic DIN box

Dimensions & Weight

6U DIN-rail box, 0.32kg

Warranty

2 years



DMX input:

- USITT DMX 512 (1990)
- protected by transil diodes and polyswitches

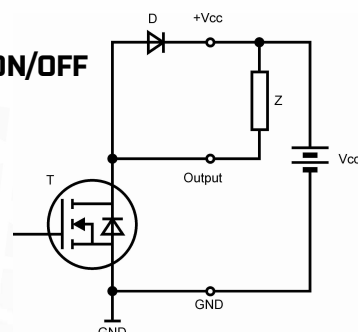
Switching output:

16x open collector: DC48V/6A

DIP switch functions:

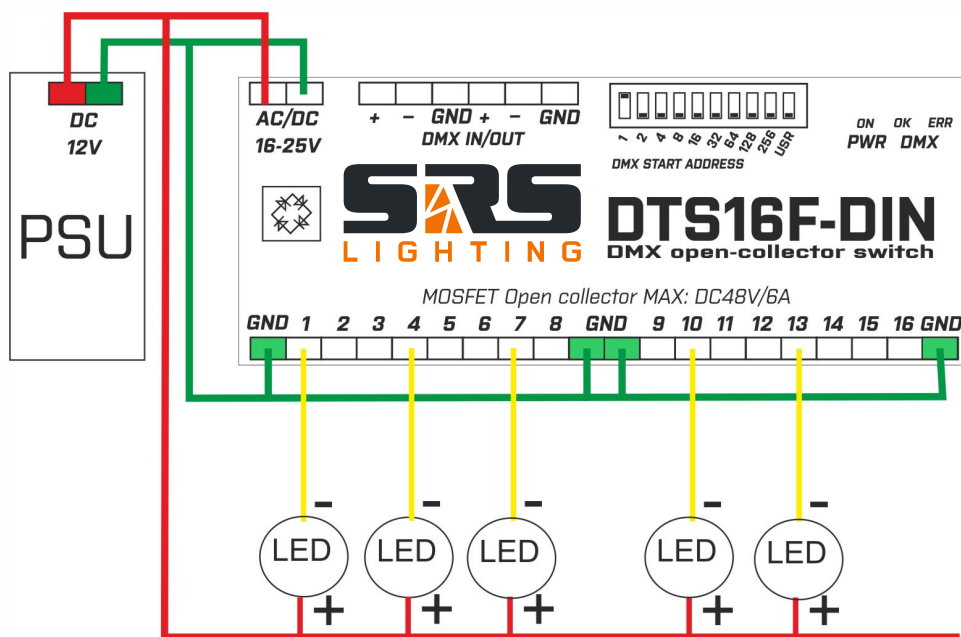
1-9: DMX start address 1-512

10: USR used for DMX hold ON/OFF



DTS16F-DIN_en_datasheet_M101

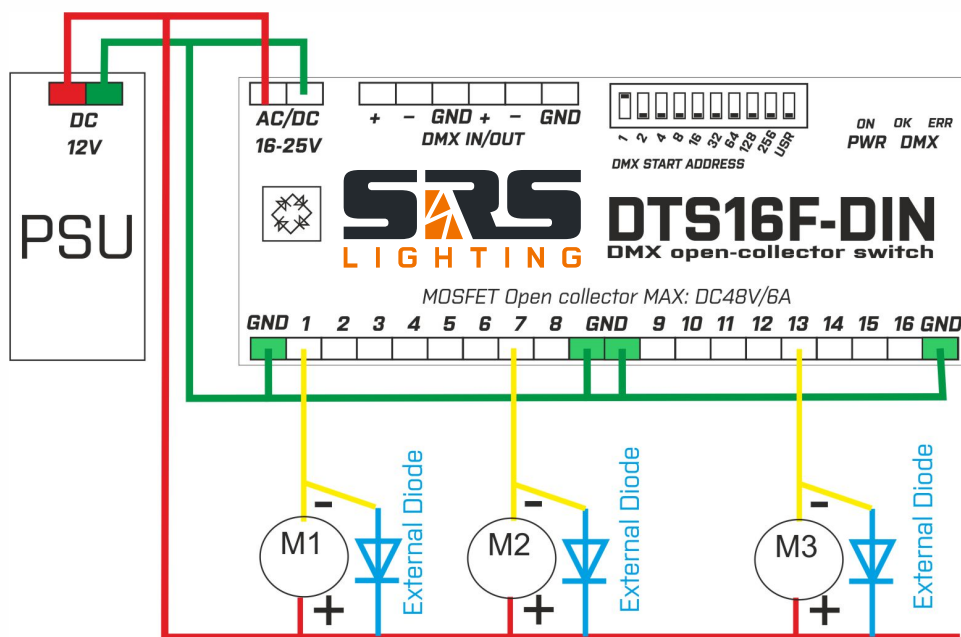
Wiring example 1: DTS16F-DIN is powering the DC12V LED strip



There is a 12V power supply with the output used for load connection of LED strips and DTS16F-DIN in the picture. The "+" pole of the strip must be connected to the power supply and the "-" one to the DTS16F-DIN switching channel.

Switching from 0-100% is performed using 25 values on the DMX channel according to the DMX start address setting.

Wiring example 2: DTS16F-DIN is switching 12V motors with external diode



Unit is equipped with a boot loader. Special function for software is on request. In case of interest, contact the manufacturer.