



DIN-RAIL MOSFET switch

Instruction Manual

Models:

DTS16F-DIN

version 1.0 since 3 February 2020

ATTENTION!

This instruction manual contains important information about the installation and the use of the equipment. Please read and follow these instructions carefully.

Always ensure that the power to the equipment is disconnected before opening the equipment or commencing any maintenance work.

IMPORTANT SAFETY INFORMATION

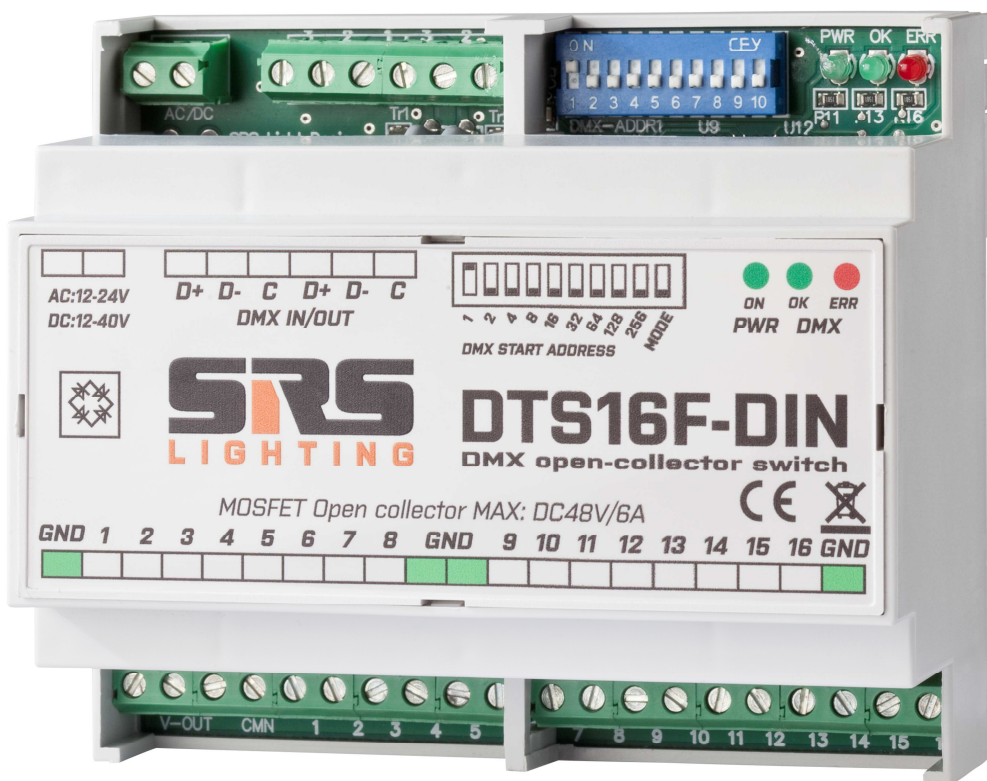
The following general safety precautions have to be observed during all phases of operation, service, and the repair of this equipment. Failure to comply with these precautions or with specific warnings in this manual violates safety standards of design, manufacture, and the intended use of this equipment.

Do not operate in an explosive atmosphere!

Do not operate this equipment in the presence of flammable gases or fumes. Operation of any electrical instrument in such an environment constitutes a definite safety hazard. Device should be never placed near or over a heat register or other source of heated air and it should not be installed or operated without proper ventilation.

DMX connection

DMX connectors are located on top side of board. DATA LED is indicating presence of DMX data stream on DMX input



Device in use / service:

By default, Power LED indicates the device is on main power. When the Power LED is off, check the main power input.

When the DMX cable is connected to the device, LED marked as DATA OK go on. If case of any problems, do not hesitate to contact us via email at rma@srs-group.com or call us at +421244681417.

Technical data

AC/DC Power input:

DC 12-36V, 160mA

AC 12-24V, 160mA

MOSFET rating:

DC48V/6A

DMX Input / Output:

1x USITT DMX512 /RS485/ isolated up to 1000V

Size & Housing:

111 x 96 x 59mm, 6 module DIN plastic box

Weight:

0.25 kg

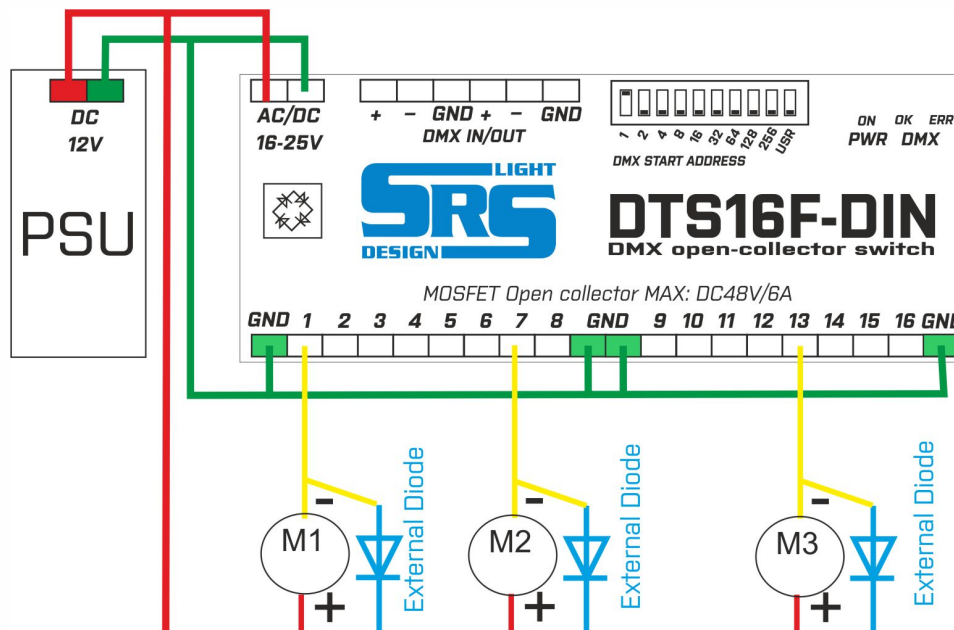
Temperature of use:

-30...+45°C

Warranty:

2 years

Sample schematics



Switching from 0-100% is performed using 25 values on the DMX channel according to the DMX start address setting.

DECLARATION OF CONFORMITY

According to guidelines 89/336 EEC and 92/31 EEC:

Name of producer: SRS Group s.r.o.

Address of producer: Rybnicna 38/B, SK- 83106 Bratislava, Slovak Republic

Declares that the product

Name of product: DTS16F-DIN MOSFET switch

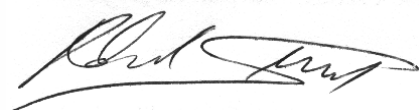
Type: DS16F-DIN

Corresponds to the following product specifications:

Safety: EN60065, resp. EN 60950

EMC: EN55103-1, resp. EN55103-2

Bratislava, 19 August 2012



Robert Sloboda

Copyright 2017 SRS Group, s.r.o. | Specifications subject to change without notice.
Document: DTS16F-DIN_en_manual_M259.doc | Version 1.0 | Actual as of: 3 February 2020



SRS Group s.r.o.

Rybnicna 38/B | 831 07 Bratislava | Slovakia

Phone: +421 2 32 661 800

Email: sales@srs-group.com | www.srs-group.com

