

FLEXi PDU

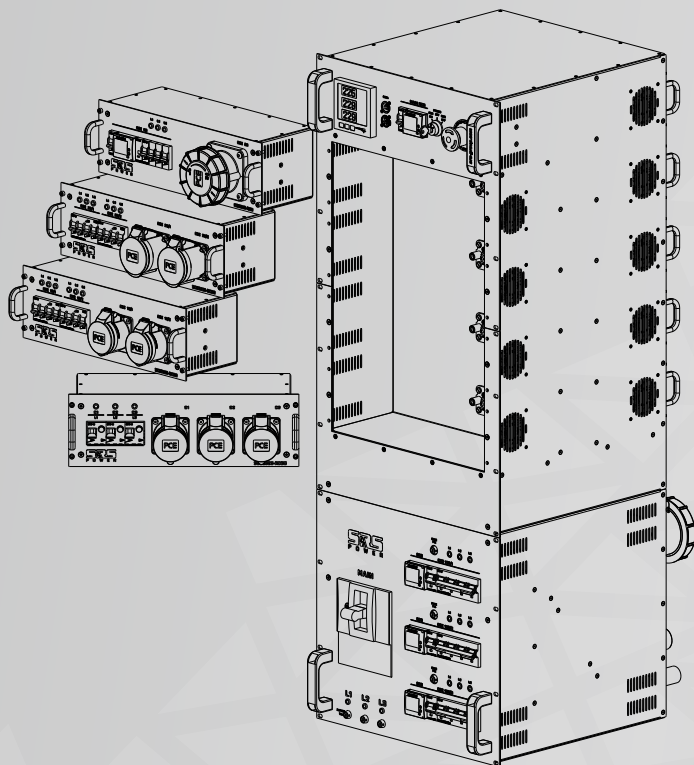
- | FLEXi PDU is the next generation of power distributor that will fulfill all the requirements of your desired power distribution unit. With FLEXi PDU you can build your favorite touring configuration by yourself easily in a moment.
- | FLEXi PDU offers modular, flexible and easy to change configuration. Thanks to measurement of current/voltage for each socket, FLEXi PDU is safe-to-use and intelligent device.
- | FLEXi PDU is the result of our 25 years of know-how taken from hundreds of power distribution systems designed and manufactured until today.

FLEXIBLE
SCALABLE
MODULAR
SECURE



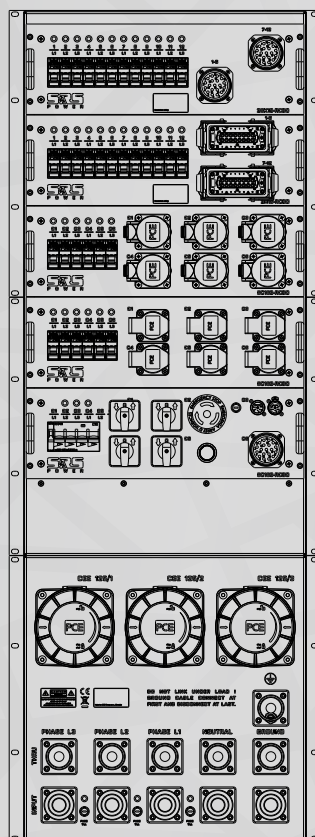
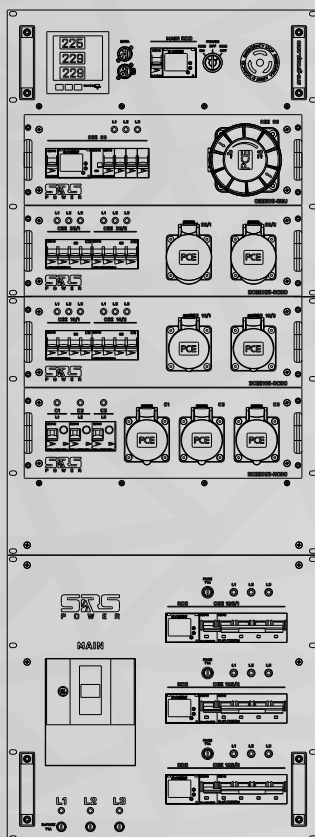
FLEXi MODULES

- 80A power capacity
- Easy to change configuration
- Optional power metering of each output
- Unlimited options for output modules
- Scalable architecture



FLEXi MAIN FRAME

- 29U, 19" standalone cabinet
- Powerlock IN/THRU + 3x CEE125A/5p 400V
- 9x FLEXi module positions
- Under-voltage/over-voltage & lost-neutral protection
- Power analyzer for all modules
- Emergency STOP
- WiFi and Ethernet communication port
- SMS notifications/setup



OUTPUT

PROTECTION

3x125A/400V	3x digital RCBO C63/0-300mA
1x63A/400V	1x digital RCBO C63/0-300mA
2x32A/400V	2x RCBO C32/30mA
2x16A/400V	2x RCBO C16/30mA
6x Socket/CEE16	12x RCBO C16/30mA
2x Harting 16	12x RCBO C16/30mA
2x Socapex 19	12x RCBO C16/30mA
2x CEE63/230V	2x RCBO C63/30mA
3x CEE32/230V	3x RCBO C32/30mA
6x CEE16/230V	6x RCBO C16/30mA
LV hoist controller	1x RCBO C16/30mA
DV hoist controller	1x RCBO C16/30mA
DMX/RDM splitter	1x main switch

Other modules can be built according to your request or local regulation requirements.