

MCBC4-DV

Rack-mount

Hoist Controller

The MCBC4-DV was designed to fulfil all the requirements of clients who are looking for a cost effective alternative hoist controller with good quality and basic functions. It is equipped with high quality Schneider Electric / Eaton parts and housed in robust metalwork.

The main feature of the MCBC-DV unit is the link option for GO and E-STOP buttons. The controller is also equipped with four switches for the selection of hoists' directions and the Manual Phase Align (MPA) on input plug and the Automatic Voltage Metering (AVM) with 123/132 phase align signalization.

Power supply

AC400V / 40-65Hz, CEE32A/5p

Operating temperature

-20 °C to +40 °C

Housing

Steel; with gray powder coating

Dimensions & Weight

3U 19" box, 11.9kg

Warranty

2 years

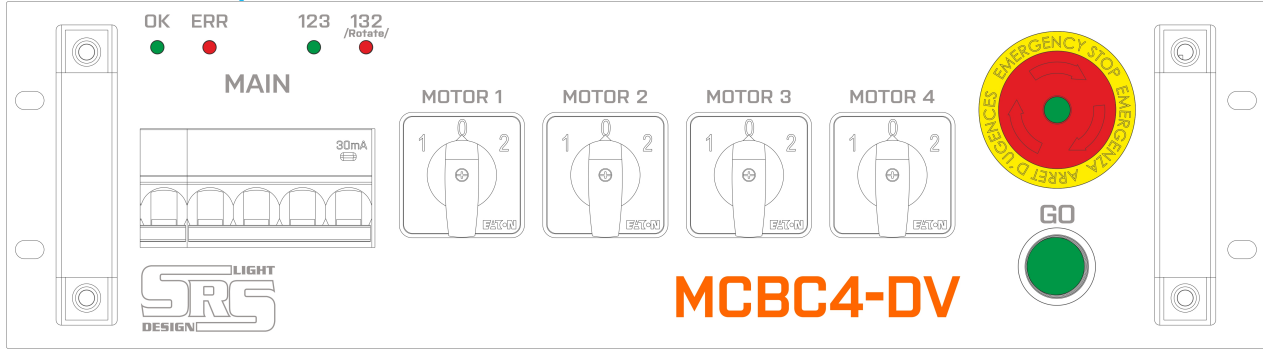


MCBC4-DV features:

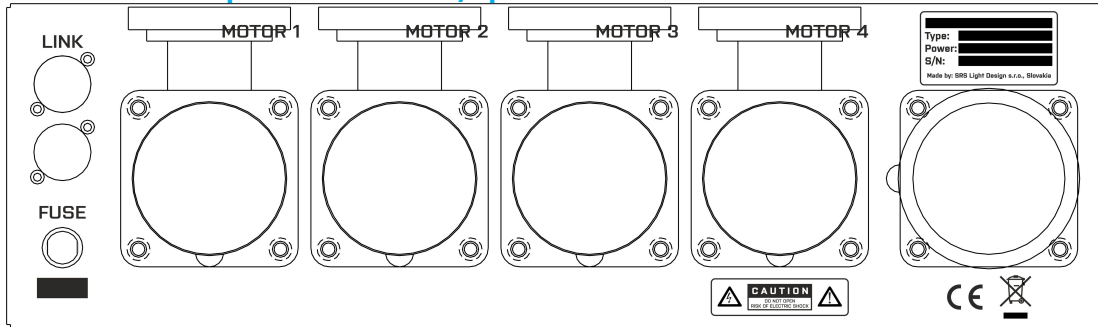
- 4-channel hoist controller
- SIL3 GFI/RCD 30mA protected outputs
- UP/DOWN selection switches
- AVM: Automatic Voltage Metering
- MPA: Manual Phase Align
- CEE16/4p output; CEE16/5p on request
- Optional MC basic remote
- Neutrik 4-pin NC4MAH + NC4FAH link connectors on the rear side

MCBC4-DV_en_datasheet_M247

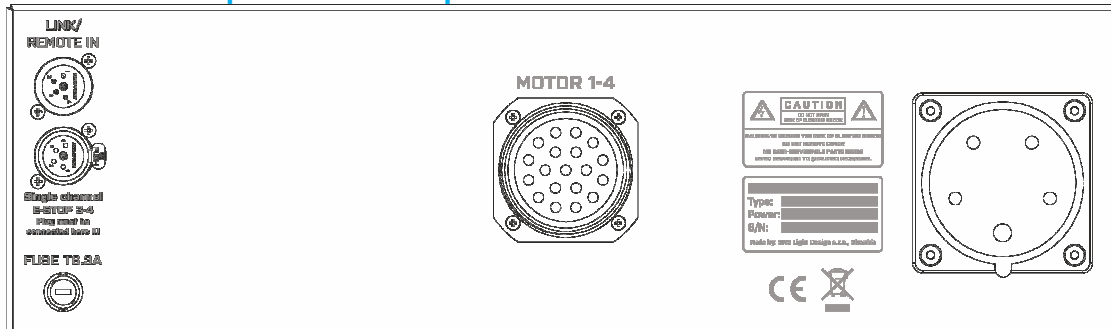
MCBC4-DV front panel:



MCBC4-DV rear panel with CEE16/5p:



MCBC4-DV rear panel with Socapex 19:



MCBC4-DV rear panel with HARTING 16:

