

# MCBC8-LV-CEE

## Rack-mount

## Hoist Controller

The MCBC8-LV-CEE controller was designed to fulfil all the requirements of clients who are looking for a cost efficient alternative hoist controller with good quality and basic functions. It is equipped with high quality Schneider Electric / Eaton parts and housed in robust metalwork.

The main feature of the MCBC8-LV-CEE unit is the link option for GO and E-STOP buttons. The controller is also equipped with switches for the selection of hoists' directions and the Manual Phase Align (MPA) on input plug and the Automatic Voltage Metering (AVM) with 123/132 phase align signalization.

### Power supply

AC3x230/400V, 40-65Hz,

### Operating temperature

-20 °C to +40 °C

### Housing

Steel with gray powder coating

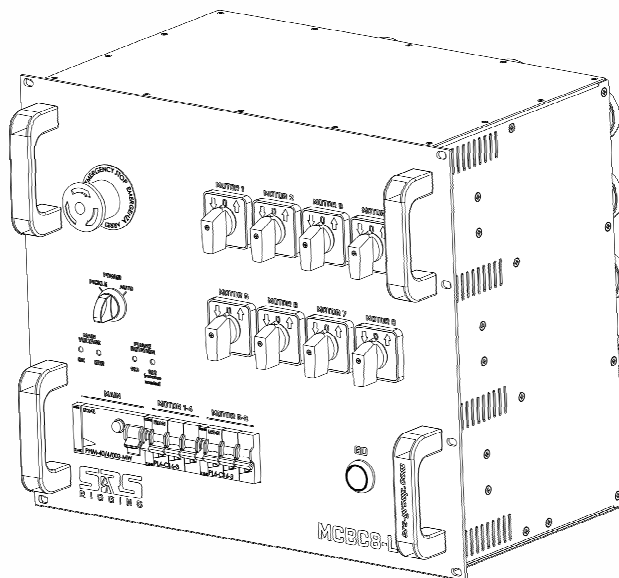
### Dimensions & Weight

19"

482,6 x 263 x 400 mm, 24kg

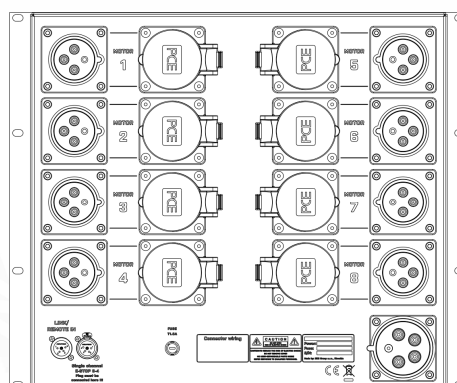
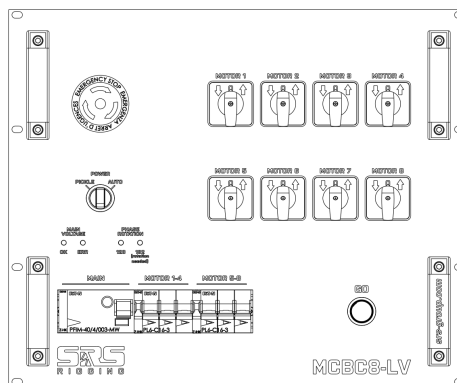
### Warranty

2 years



### Features:

- Controls up to 8 low voltage hoists
- Automatic voltage check and hoist protection
- Phase align 123/132 indication
- Hoist types: BGV D8, BGV D8+
- Link of GO / STOP possible
- In: CEE32/5p
- Output: CEE16/4p red + CEE16/4p yellow



MCBC8-LV\_en\_datasheet\_M294

