



Remote Controller for Hoist/Motor Controller

Instruction Manual

Models:

MCBCX.MCP REMOTE

version 1 since 3 February 2020

ATTENTION!

This instruction manual contains important information about the installation and the use of the equipment. Please read and follow these instructions carefully.

Always ensure that the power to the equipment is disconnected before opening the equipment or commencing any maintenance work.

1. Safety information

IMPORTANT INSTRUCTIONS

All safety and operating instructions should be read before the equipment is installed or operated.

IMPORTANT SAFETY INFORMATION

The following general safety precautions have to be observed during all phases of operation, service, and the repair of this equipment. Failure to comply with these precautions or with specific warnings in this manual violates safety standards of design, manufacture, and the intended use of this equipment.

Do not operate in an explosive atmosphere!

Do not operate this equipment in the presence of flammable gases or fumes. Operation of any electrical instrument in such an environment constitutes a definite safety hazard.

Water, moisture, heat and humidity

Do not operate this equipment near water, in areas with wet floors or in high humidity atmosphere where condensation forms on the equipment. It should never be placed near or over a heat register or other source of heated air and it should not be installed or operated without proper ventilation.

2. Operation

Remote should be connected to the top level MCBC and MCP controller. All other linked controllers will respond in the same time to the GO signal from the remote. The remote controller allows the control of GO and ESTOP buttons for a single controller or for all linked controllers. Standard length of cable is 10m. The length of the cable can be altered according to customer's needs. There is also a 1-meter long MCBCx RECAP cable, which is used for linking of controllers.



STOP:

This switch protects the base unit from undesired operation and turns the MCBCx and MCP controller to inactive state. Stop button is a red color mushroom. Once the STOP button has been pressed, it is locked in an active position and must be rotated clockwise and released before disengaging.

GO:

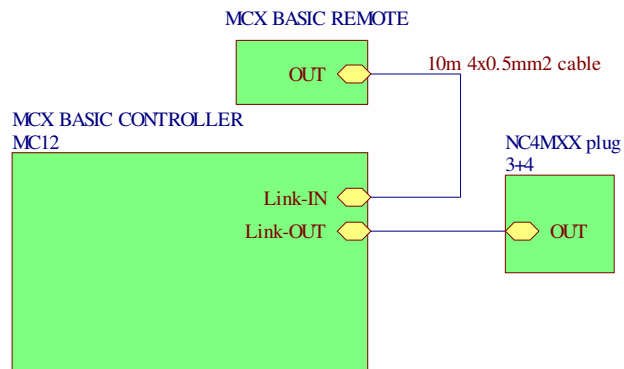
When active, the pushbutton turns the selected channels of Hoist Control system ON. Once the GO button is released, the energizing of the hoists is turned off.

2.1 How to start

- Connect the MCBCx.MCP remote plug to the remote/link in a 4-pin connector on the controller.
- Check that none of the E-STOPS is activated
- Check if E-stop NC4MXX plug is connected to the last controller in chain
- Press the GO button to start the movement of the hoist and hold until it reaches its final position
- Press the STOP button to block the movement.

2.2 Controller with remote operation:

In this mode, the controller is operated by the E-STOP and GO buttons located on the front panel or by the E-STOP and GO buttons located on the MCBCx.MCP remote.

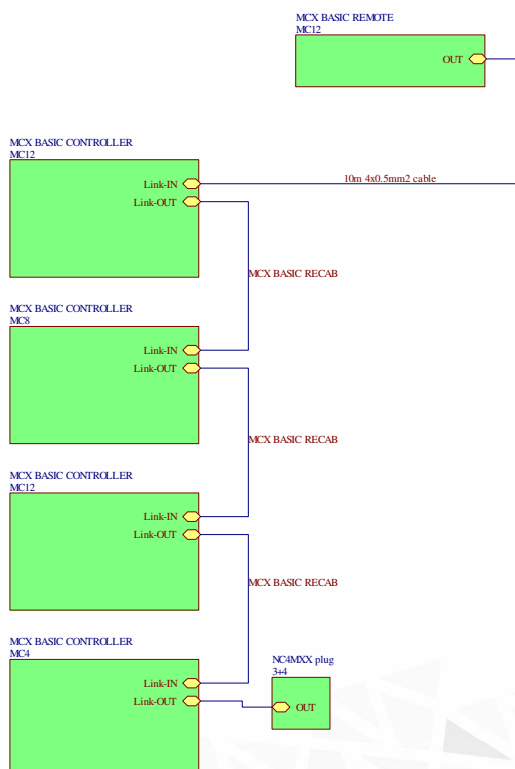


During operation, the NC4MXX plug must be connected to the last controller in chain

2.3 Controller link operation:

In this mode, the controller is operated by the E-STOP and GO buttons located on the front panel or by the E-STOP and GO buttons located on the MCBCx.MCP REMOTE. All linked controllers run together when either one of the GO buttons on the remote is pressed.

When there are several controllers linked, use the remote or top level GO button for movement of all hoists. Remember to plug the NC4MXX plug to the last controller in chain.



During operation, the NC4MXX plug must be connected to the last controller in chain

3. Description of connectors

3.1 NC4FXX connector

Lines 3 and 4 are normally closed – NC, by default for normal operation. Due to this, it is necessary to fit the safety breach /MXX connector/ to the link OUT connector with the short circuit between pins 3 and 4 for normal operation.

This breach must be connected to the last controller in system if the controllers are linked.

Neutrik NC4FXX PIN 1. Remote go IN
 PIN 2. Remote go OUT
 PIN 3. Safety IN
 PIN 4. Safety OUT

4. Warranty

MCBCx.MCP is covered by a 2-year manufacturer's warranty. For extended warranty conditions, please contact the manufacturer at sales@srs-group.com.

The warranty covers the original factory installed components of the controller and their correct functioning.

The warranty voids if any part or replacement component is installed or modified without authorization from the manufacturer and/or the internal circuit is tampered or modified and/or the controller is operated outside of normal using conditions – electrical power supply is not conforming or there is connection error or mechanical damage of controller, including overload and improper use.

Copyright 2017 SRS Group, s.r.o. | Specifications subject to change without notice.
Document: MCBCX.MCP REMOTE_en_manual_M251 | Version 1 | Actual as of: 3 February
2020



SRS Group s.r.o.

Rybnicna 38/B | 831 07 Bratislava | Slovakia

Phone: +421 2 32 661 800

Email: sales@srs-group.com | www.srs-group.com

